

CAYJ Upgrade!

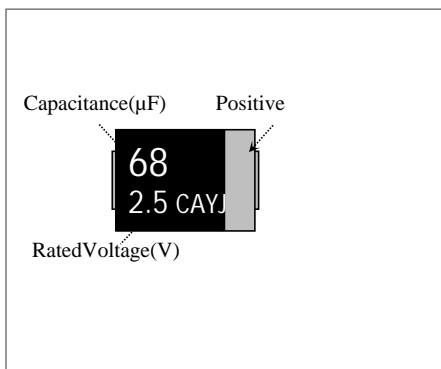
- ◆ 105°C 2000 Hours
- ◆ High Voltage (50Vmax)
- ◆ Miniature Size Series (3.5x2.8x 1.9mm)
- ◆ Low ESR And High Ripple Current
- ◆ RoHS Compliant (2011/65/EU)



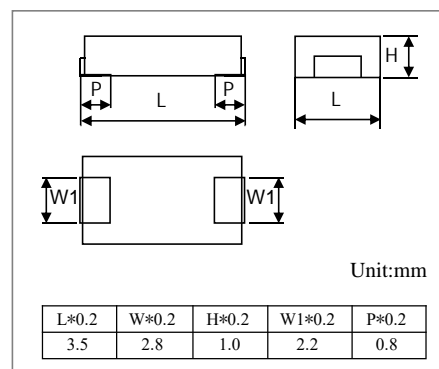
■ Specification

Items	Characteristics	
Operation Temperature Range	-55°C~+105°C	
Rated Voltage	2~50V	
Capacitance Range	18~82μF 120Hz/20°C	
Capacitance Tolerance	±20%(120Hz/20°C)	
Dissipation Factor	Below the standard value (under frequency 120Hz/20°C)	
Leakage Current	I<0.1CV under 20°C charging 2mins with rated voltage	
ESR	Below the standard value (under frequency 100KHz/20°C)	
Surge Voltage (V)	1.15times than rated voltage	
Endurance	After load rated voltage for 2000hours at 105°C, the following specification shall be satisfied after placing capacitor for 16 hours at 20°C	
	Capacitance change	Within±20% of the initial value
	Dissipation Factor	200%or less than the specified value
	Leakage current	Not more than the specified value
Humidity	Store the capacitor at 60°C under the condition of 90%~95%R.H with no load for 1000hrs, the following specifications shall be satisfied after placing capacitor for 16 hours at 20°C.	
	Capacitance change	-20%+50%of the initial value
	Dissipation Factor	200%or less than the initial specified value
	Leakage current	Within the initial value

■ Marks



■ Dimension



■ Rated Ripple Current Temperature Correction Factor

Frequency (Hz)	T 45°C	45°C<T 85°C	85°C<T 105°C
Correction factor	1.0	0.7	0.25

The surface temperature of MLPC should be less than its Max.operating temperature.

■ Rated Ripple Current Frequency Correction Factor

Frequency (Hz)	120Hz	1KHz	10KHz	100-300KHz
Correction factor	0.10	0.45	0.50	1.00

CAYJ Upgrade!

■ **Standard Size** ESR(m 100kHz) Ripple current (mA/r.m.s) 45°C100kHz

Rated Voltage (V)	Capacitance (μF)	Size D×L(mm)			L.C (μA,2 min)	Tanδ 120Hz	ESR	Ripple current	Part number
		L	W	H					
2	15	3.5	2.8	1.9	3	0.06	15	2000	CAYJ156M0DB150T
	27	3.5	2.8	1.9	5	0.06	12	2200	CAYJ276M0DB120T
	39	3.5	2.8	1.9	8	0.06	9	2400	CAYJ396M0DB090T
	47	3.5	2.8	1.9	9	0.06	9	2400	CAYJ476M0DB090T
	56	3.5	2.8	1.9	11	0.06	7	2800	CAYJ566M0DB070T
	68	3.5	2.8	1.9	14	0.06	6	3000	CAYJ686M0DB060T
	82	3.5	2.8	1.9	16	0.06	6	3000	CAYJ826M0DB060T
2.5	15	3.5	2.8	1.9	4	0.06	15	2000	CAYJ156M0EB150T
	27	3.5	2.8	1.9	7	0.06	12	2200	CAYJ276M0EB120T
	39	3.5	2.8	1.9	10	0.06	9	2400	CAYJ396M0EB090T
	47	3.5	2.8	1.9	12	0.06	9	2400	CAYJ476M0EB090T
	56	3.5	2.8	1.9	14	0.06	6	3000	CAYJ566M0EB060T
	68	3.5	2.8	1.9	17	0.06	6	3000	CAYJ686M0EB060T
4	8.2	3.5	2.8	1.9	3	0.06	20	1700	CAYJ825M0GB200T
	18	3.5	2.8	1.9	7	0.06	12	2200	CAYJ186M0GB120T
	27	3.5	2.8	1.9	11	0.06	9	2400	CAYJ276M0GB090T
	39	3.5	2.8	1.9	16	0.06	7	2800	CAYJ396M0GB070T
	47	3.5	2.8	1.9	19	0.06	7	2800	CAYJ476M0GB070T
6.3	5.6	3.5	2.8	1.9	4	0.06	20	1700	CAYJ565M0JB200T
	15	3.5	2.8	1.9	9	0.06	15	2000	CAYJ156M0JB150T
	18	3.5	2.8	1.9	11	0.06	12	2200	CAYJ186M0JB120T
	27	3.5	2.8	1.9	17	0.06	9	2400	CAYJ276M0JB090T
	33	3.5	2.8	1.9	21	0.06	9	2400	CAYJ336M0JB090T
	39	3.5	2.8	1.9	25	0.06	9	2400	CAYJ396M0JB090T
10	4.7	3.5	2.8	1.9	5	0.06	20	1700	CAYJ475M1AB200T
	6.8	3.5	2.8	1.9	7	0.06	18	1800	CAYJ685M1AB180T
	10	3.5	2.8	1.9	10	0.06	15	2000	CAYJ106M1AB150T
	15	3.5	2.8	1.9	15	0.06	12	2200	CAYJ156M1AB120T
	18	3.5	2.8	1.9	18	0.06	10	2300	CAYJ186M1AB100T
16	2.7	3.5	2.8	1.9	4	0.06	70	1000	CAYJ275M1CB700T
	5.6	3.5	2.8	1.9	9	0.06	50	1200	CAYJ565M1CB500T
	10	3.5	2.8	1.9	16	0.06	30	1400	CAYJ106M1CB300T
	15	3.5	2.8	1.9	24	0.06	20	1700	CAYJ156M1CB200T
20	1.8	3.5	2.8	1.9	4	0.06	80	900	CAYJ185M1DB800T
	3.9	3.5	2.8	1.9	8	0.06	70	1000	CAYJ395M1DB700T
	5.6	3.5	2.8	1.9	11	0.06	45	1250	CAYJ565M1DB450T
	8.2	3.5	2.8	1.9	16	0.06	35	1400	CAYJ825M1DB350T
	12	3.5	2.8	1.9	24	0.06	25	1600	CAYJ126M1DB250T
25	1.8	3.5	2.8	1.9	5	0.06	80	900	CAYJ185M1EB800T
	3.9	3.5	2.8	1.9	10	0.06	65	1000	CAYJ395M1EB650T
	5.6	3.5	2.8	1.9	14	0.06	45	1250	CAYJ565M1EB450T
	8.2	3.5	2.8	1.9	21	0.06	35	1400	CAYJ825M1EB350T

CAYJ *Upgrade!*

■ **Standard Size** ESR(m 100kHz) Ripple current (mA/r.m.s) 45°C100kHz

Rated Voltage (V)	Capacitance (μ F)	Size D×L(mm)			L.C (μ A,2 min)	Tan δ 120Hz	ESR	Ripple current	Part number
		L	W	H					
35	2.7	3.5	2.8	1.9	9	0.06	50	1200	CAYJ275M1VB500T
	4.7	3.5	2.8	1.9	16	0.06	40	1300	CAYJ475M1VB400T
50	1.8	3.5	2.8	1.9	9	0.06	55	1150	CAYJ185M1HB550T
	2.7	3.5	2.8	1.9	14	0.06	40	1300	CAYJ275M1HB400T