

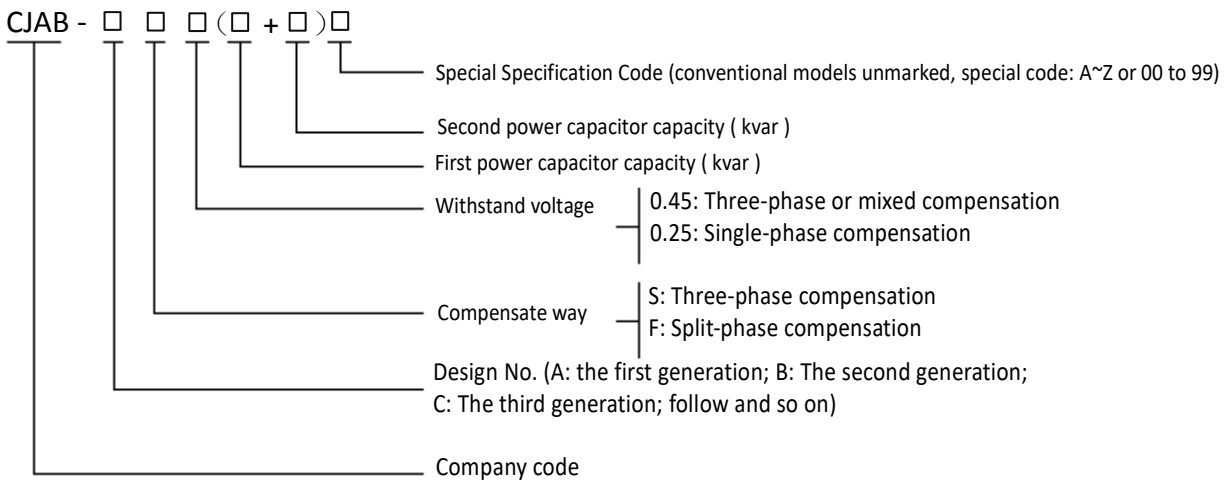
CJAB SERIES



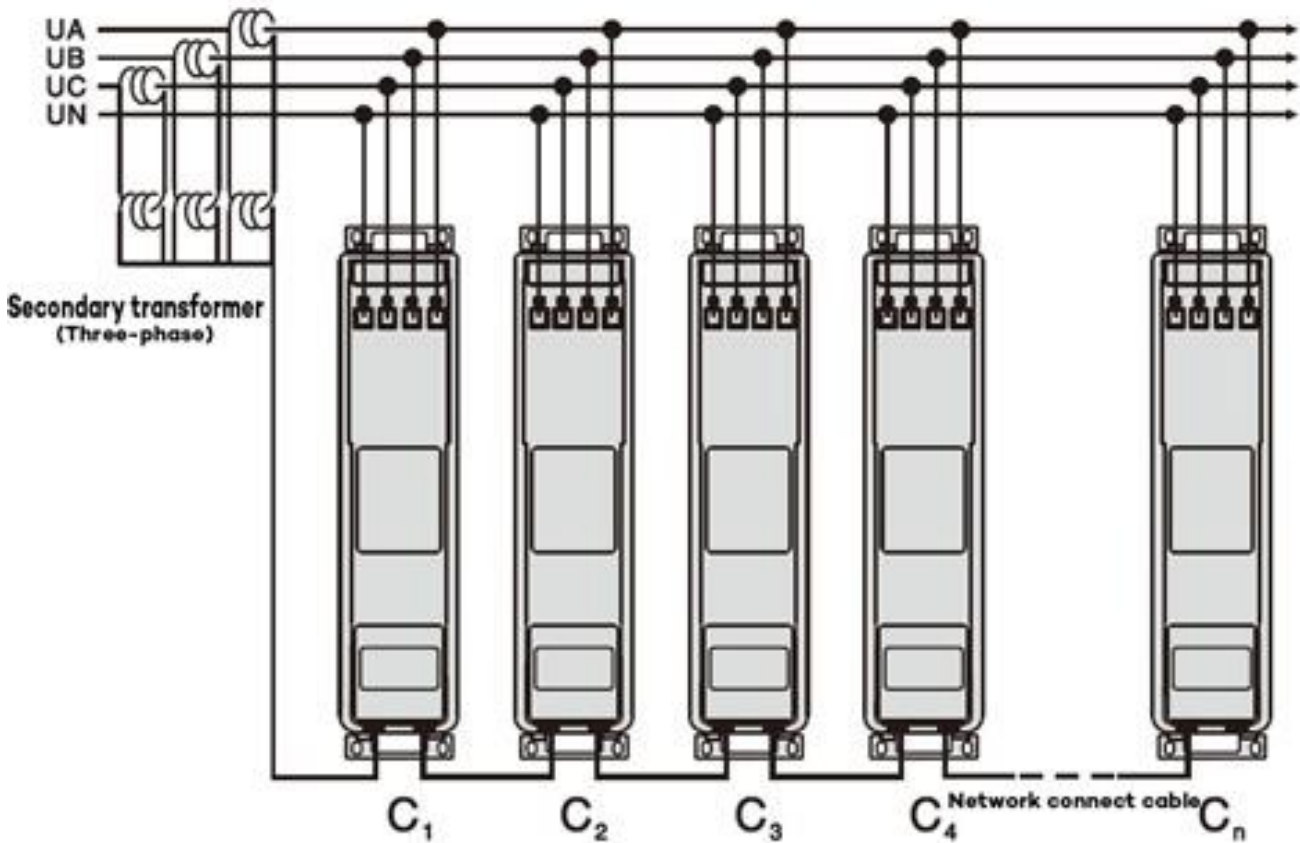
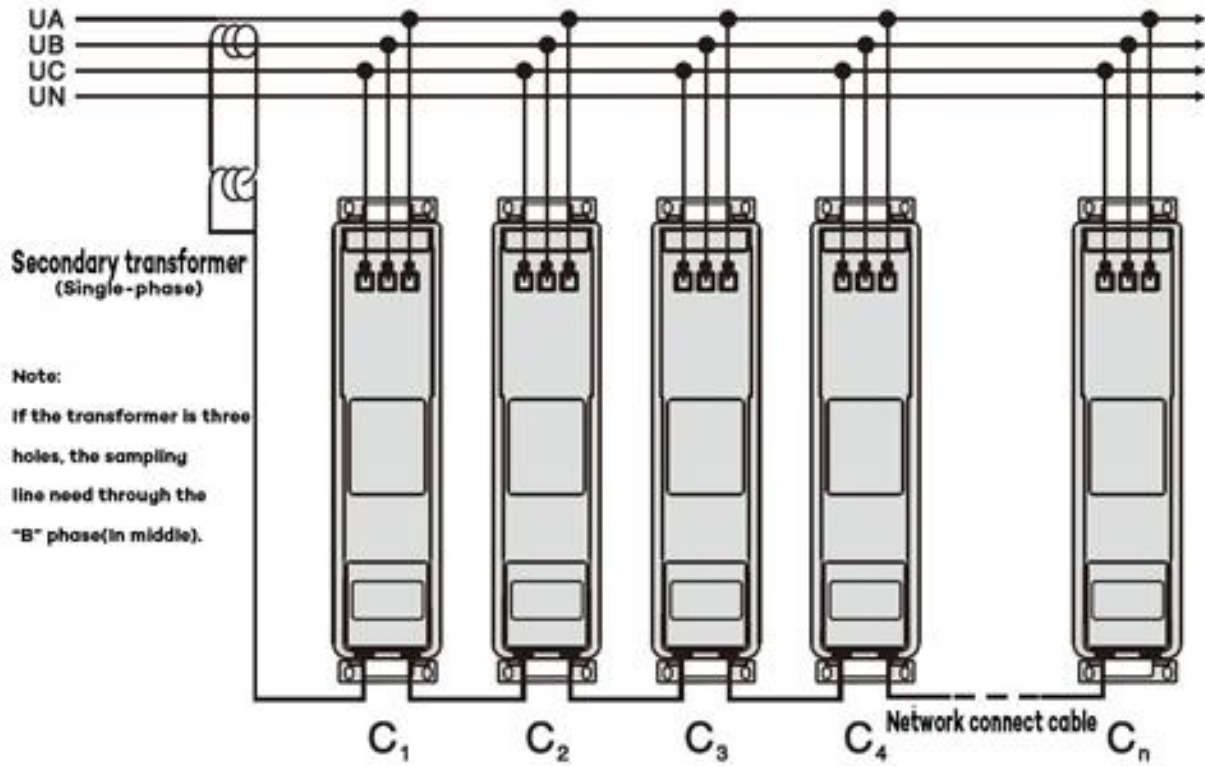
DESCRIPTION:

JINPEI CJBA series intellect integration power capacitor is new reactive compensation equipment which is 0.4kv low voltage distribution electric net, high save power, reduce wire loss, improve power factor and power quality. It make up by intellect testing unit over zero input switch circuit and protect unit, two pcs (Δ) or one pc (Y) low voltage capacitor. This capacitor replace for low voltage power capacitor which is make up by intellect controller fuse and combine switch or contactor, thermal relay. Low voltage power capacitor indicate lighting and other component of bank which connect one conductor make up to auto reactive compensate equipment. It change tradition reactive compensate big volume and very strong instruction mode. So new power capacitor has good compensate function, low volume, low power loss, good price, save cost, and using convenient, maintain is easy and long life, reliability is best, it suitable modern intellect electric net reactive compensate demanding.

PART NUMBER EXAMPLE:



WIRING DIAGRAM



CJAB SERIES

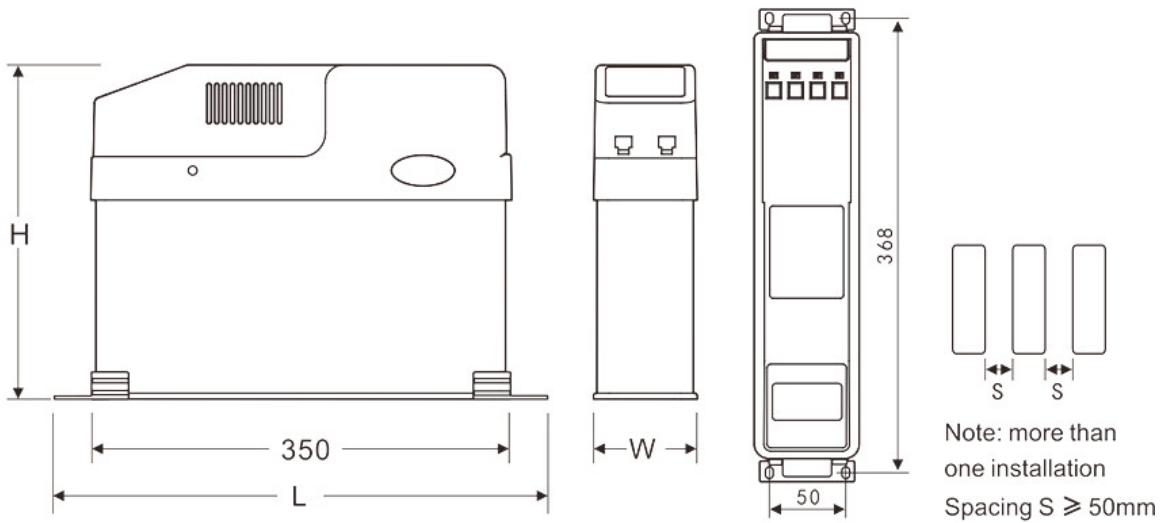
Technical parameters

Power Parameters	Rated voltage	AC 400V(deviation $\leq \pm 10\%$, distortion sine wave $< 5\%$)		
	Rated current	AC 0~5A(current harmonics $< 10\%$, Current input impedance $\leq 0.02\Omega$)		
	Frequency	50Hz	Power consumption	$< 0.5W$
Measurement accuracy	Voltage	$\leq 0.5\%$	Current	$\leq 0.5\%$
	Power	$\leq 0.5\%$	Power Factor	$\pm 0.01\%$
	Time	$\leq 100ms$	Temperature	$\pm 1^\circ C$
Network	Networking Number	≤ 99 Platform	Networking initialization time	$\leq 10s$
Environment	Temperature	$-30\sim +60^\circ C$		
	Relative humidity	90%RH(when $20^\circ C$ non-condensing)		
Switching interval		Single $\geq 20s$ (increased when more than one network use)		
Capacitors single maximum capacity		Three-phase compensation(30+30kVar; Single-phase compensation 30kVar		
Capacitors decay rate		$\leq 0.5\%/Year$		
Capacitor failure rate		$\leq 5\%/Year$ (Function 60000h)		
Allows switching frequency		≥ 130 Million times		
Communication Interface		RS 485		

CJAB SERIES



Outline & installation size



Specification

Compensation mode	Model Specification	Capacity(kvar)	Dimensions(LxWxH)
Three-phase Compensation (Dual)	ZCJABCS0.45(5+5)	5+5	383 × 85 × 230
	CJAB-CS0.45(10+5)	10+5	383 × 85 × 230
	CJAB-CS0.45(10+10)	10+10	383 × 85 × 230
	CJAB-CS0.45(15+10)	15+10	383 × 85 × 290
	CJAB-CS0.45(15+15)	15+15	383 × 85 × 290
	CJAB-CS0.45(20+15)	20+15	383 × 85 × 290
Single-phase compensation	CJAB-DF0.25(10)	10	383 × 85 × 230
	CJAB-DF0.25(15)	15	383 × 85 × 230
	CJAB-DF0.25(20)	20	383 × 85 × 230
	CJAB-DF0.25(30)	30	383 × 85 × 290