



## CJBA SERIES Oil Capacitor

### Application and Standards:

AC Filter Capacitors are mainly used in 50Hz and 60Hz AC power system, with other accessories (e.g. Reactors and resistors), can provide a resistance path for one or multi harmonic current(s) and improve their power factors.

### Technical Data:

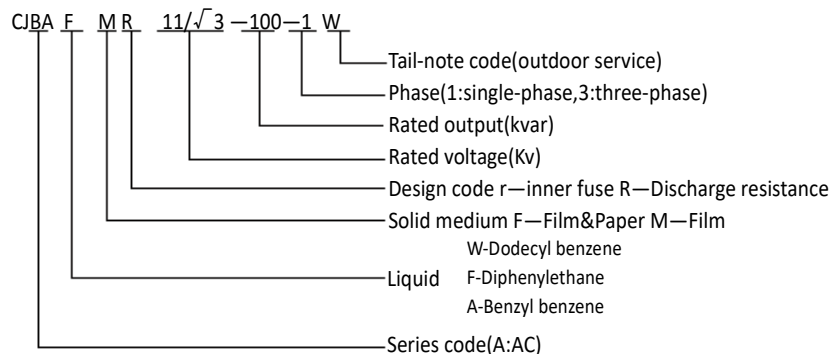
1. Environment temperature: -40 ~ +45°C
- 2.Height:  $\leq 1000m$
- 3.For bandpass filter, the deviation of actual and the rated capacitance are less than  $\pm 5\%$ .
- 4.For high-pass filter, the deviation of actual and the rated capacitance are less than  $\pm 7.5\%$ .
- 5.The capacity of capacitors are recommended to be symmetrical deviation. The actual deviation is to be confirm after discussion between customers and our company.
- 6.Loss tangent ( $tg\theta$ )  $\leq 0.0005$



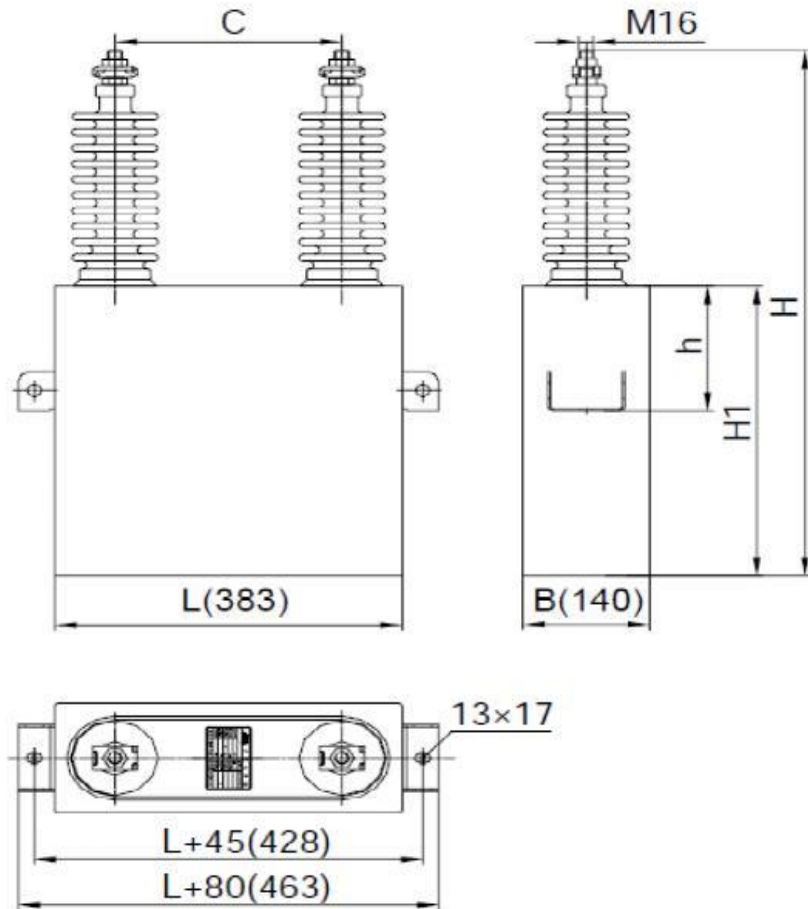
### Applicable Standards:

GB/T11024-2010 National standard 《Standard 1kV or above AC Power Systems Shunt Capacitor》

#### PART NUMBER EXAMPLE



CJBA SERIES Oil Capacitor



**CJBA SERIES Oil Capacitor**

**SEPERATE PHASE POWER CAPACITOR**

CJBA	Rated Voltage (kV)	Rated Output (kVAr)	Rated Capacitance (uF)	Length L(mm)	Width B(mm)	Height H(mm)	Height H1(mm)	Height H(mm)	C (mm)	Stud	Weight (Kg)
1.2-100-1W	1.2	100	221	380	155	207	350	450	250	M16	32
4-100-1W	4	100	19.89	380	143	207	350	560	250	M12	30
4-150-1W	4	150	29.84	383	143	293	436	646	260	M12	44
4-250-1W	4	250	49.74	383	180	396	556	766	260	M16	70
4.2-100-1W	4.2	100	18.04	380	143	207	350	560	250	M12	30
4.4-100-1W	4.4	100	16.44	380	143	207	350	560	250	M12	30
4.4-244-1W	4.4	244	40.12	383	180	361	521	736	260	M16	67
4.4-405-1W	4.4	405	66.59	383	180	426	606	816	350	M16	100
4.5-140-1W	4.5	140	22.01	383	143	262	396	606	260	M16	39
4.5-182-1W	4.5	182	28.61	383	180	362	496	706	260	M16	48
4.5-200-1W	4.5	200	31.44	383	180	298	441	651	260	M16	54
4.5-210-1W	4.5	210	33.01	383	180	301	461	671	260	M16	56
4.5-280-1W	4.5	280	44.01	383	180	431	591	801	260	M16	72
4.7-250-1W	4.7	250	36.02	383	180	341	501	711	260	M16	63
5-100-1W	5	100	12.73	380	143	207	350	560	250	M12	30

**CJBA SERIES Oil Capacitor**


6.3-225-1W	6.3	225	18.04	383	180	322	456	746	260	M16	57
6.3-250-1W	6.3	250	20.05	383	180	336	496	786	260	M16	63
6.4-200-1W	6.4	200	15.54	383	180	297	431	721	260	M16	54
6.4-300-1W	6.4	300	23.31	383	180	443	586	876	260	M16	73
6.5-80-1W	6.5	80	6.03	380	115	207	350	560	250	M12	25
6.5-140-1W	6.5	140	10.55	383	143	257	391	641	260	M12	40
6.5-200-1W	6.5	200	15.07	383	180	287	421	711	260	M16	53
6.6-150-1W	6.6	150	10.96	383	143	272	406	656	260	M12	41
6.6-300-1W	6.6	300	21.92	383	180	443	586	876	260	M16	73
6.8-300-1W	6.8	300	20.65	383	180	466	626	916	260	M16	77
6.8-310-1W	6.8	310	21.34	383	180	481	641	931	260	M16	79
6.8-334-1W	6.8	334	22.99	383	180	531	691	981	260	M16	84
6.9-100-1W	6.9	100	6.69	383	143	207	350	600	250	M12	31
6.9-117-1W	6.9	117	7.82	380	165	207	350	600	250	M12	34
6.9-150-1W	6.9	150	10.03	383	143	272	406	656	260	M12	41
6.9-300-1W	6.9	300	20.06	383	180	458	601	891	260	M16	74
7-33.3-1W	7	33.3	2.16	320	110	115	235	445	220	M12	14
7-50-1W	7	50	3.25	320	110	180	300	510	220	M12	19
7-100-1W	7	100	6.5	380	143	207	350	600	250	M12	31
7-125-1W	7	125	8.12	380	165	207	350	600	250	M12	34

**CJBA SERIES Oil Capacitor**


7-150-1W	7	150	9.74	383	143	262	396	646	260	M12	40
7-166.7-1W	7	166.7	10.83	383	143	297	431	681	260	M12	44
7-200-1W	7	200	12.99	383	180	277	411	701	260	M16	52
7-250-1W	7	250	16.24	383	180	376	536	826	260	M16	68
7-300-1W	7	300	19.49	383	180	466	626	916	260	M16	77
7-334-1W	7	334	21.7	383	180	531	691	981	260	M16	84
7.2-50-1W	7.2	50	3.07	320	110	190	310	520	220	M12	19
7.2-60-1W	7.2	60	3.68	320	110	230	350	560	220	M12	23
7.2-100-1W	7.2	100	6.14	380	143	207	350	600	250	M12	31
7.2-125-1W	7.2	125	7.68	380	165	207	350	600	250	M12	34
7.2-150-1W	7.2	150	9.21	383	143	282	416	666	260	M12	42
7.2-166.7-1W	7.2	166.7	10.24	383	143	312	446	696	260	M12	45
7.2-175-1W	7.2	175	10.75	383	180	252	386	676	260	M16	49
7.2-200-1W	7.2	200	12.28	383	180	297	431	721	260	M16	54
7.2-233.3-1W	7.2	233.3	14.33	383	180	331	491	781	260	M16	63
7.2-250-1W	7.2	250	15.35	383	180	361	521	811	260	M16	67
7.2-300-1W	7.2	300	18.42	383	180	466	626	916	260	M16	77
7.2-310-1W	7.2	310	19.03	383	180	481	641	931	260	M16	79
7.2-334-1W	7.2	334	20.51	383	180	511	671	961	260	M16	82
7.2-334-1W	7.2	334	20.51	383	180	531	691	981	260	M16	84

## CJBA SERIES Oil Capacitor



7.3-200-1W	7.3	200	11.95	383	180	282	416	706	260	M16	53
7.4-200-1W	7.4	200	11.63	383	180	277	411	701	260	M16	52
7.4-350-1W	7.4	350	20.34	383	180	511	671	961	260	M16	82
7.5-100-1W	7.5	100	5.66	380	143	207	350	600	250	M12	31
7.5-125-1W	7.5	125	7.07	380	165	207	350	600	250	M12	34
7.5-150-1W	7.5	150	8.49	383	143	292	426	676	260	M12	43
7.5-200-1W	7.5	200	11.32	383	180	302	436	726	260	M16	54
7.5-250-1W	7.5	250	14.15	383	180	371	531	821	260	M16	67
7.5-300-1W	7.5	300	16.98	383	180	452	626	916	260	M16	77