

CJCC SERIES OIL CAPACITORS

General Description:

JINPEI brand of self-healing type low voltage capacitor made of the advanced metalized film, is produced strictly in accordance with the Nation Standard and IEC standard by he introduced advanced foreign techniques and equipment. The device is suitable for low voltage power network to improve power factor, reduce reactive loss and better the voltage quality.

Characteristics:

- 1.Small volume, light weight and convenient installation
- 2.No oil leakage, no-toxic and environment protection
- 3.Low loss, little radiation and low temperature rise
- 4.Excellent self-healing performance
- 5.Safety

Working condition:

- 1.Altitude: lower than 2000m
- 2.Ambient temperature: -25~50°C degree
- 3.Humidity: smaller than 85%
- 4.After the power cut off, reputing when make sure the remain voltage is smaller than 10% of the rated voltage, usually this time is 200s, so the controller you use should has the function of time delay for reputing after cut off.

Technical data:

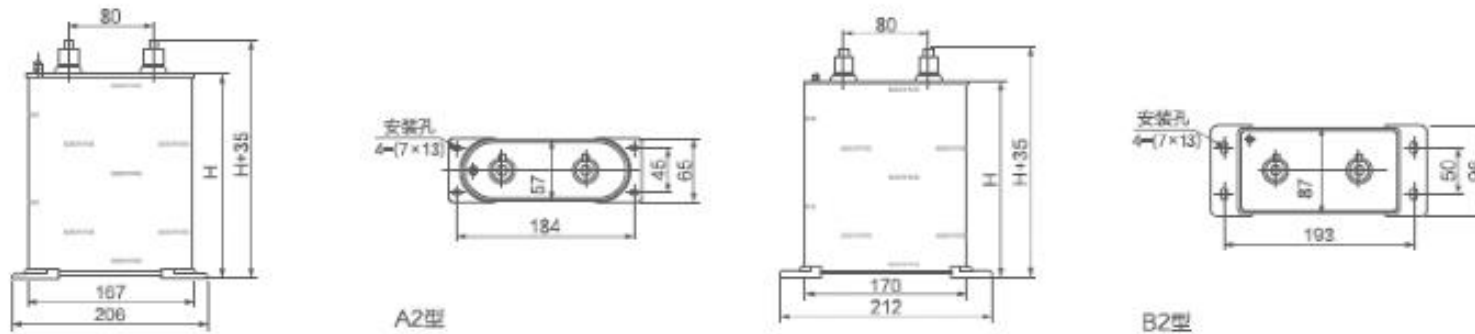
- 2.Rated voltage: 230VAC, 400VAC, 450VAC
- 3.Rated output: 1-60 KVAR
- 4.Rated frequency: 50Hz or 60Hz
- 5.Capacitance Tolerance: -5% - +10%
- 6.Tangent of the loss angle: With the power frequency rated voltage,
- 7.Withstand voltage: Between terminal 2.15 times rated voltage for 5 seconds, between terminals and container 2 Un+2Kv or 3KVAC choose the higher one for 10 seconds.
- 8.Max permissible over-voltage: 110% rated voltage



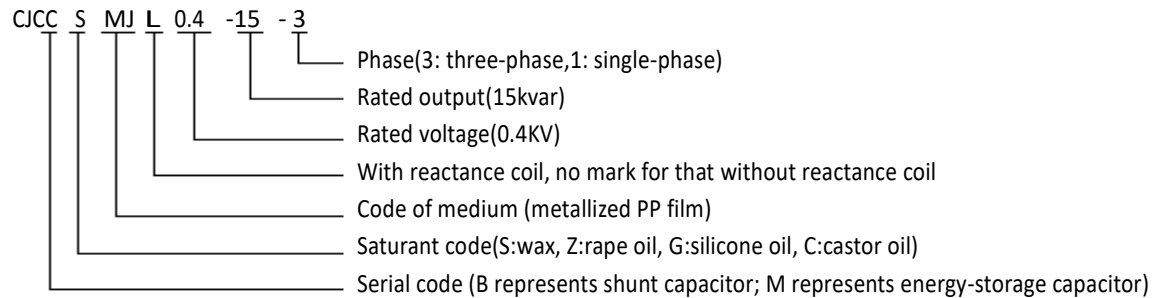


CJCC SERIES OIL CAPACITORS

- 9. Max permissible over-current: 130% rated current
- 10. Self-discharge feature: Less than 50V in 3min after power broke down when the DC is $\sqrt{2} U_n$ as before increased by the capacitors.
- 11. Applicable standard: GB/T 12747-2004, IEC60831-2002.



PART NUMBER EXAMPLE



CJCC	Rated Voltage(kV)	Rated Output (kvar)	Rated Capacitor(uF)	Rated Current(A)	H (mm)	Output Terminal	Shell Type
------	-------------------	---------------------	---------------------	------------------	--------	-----------------	------------

CJCC SERIES OIL CAPACITORS


0.23-1-1	0.23	1	60.2	4.3	125	M6	A2
0.23-3-1	0.23	3	180.5	13	125	M6	A2
0.23-5-1	0.23	5	301	21.7	125	M6	A2
0.23-7.5-1	0.23	7.5	451.5	32.6	210	M8	A2
0.23-10-1	0.23	10	602	43.5	210	M8	A2
0.23-15-1	0.23	15	903	65.2	210	M8	B2
0.23-20-1	0.23	20	1203.4	87	260	M8	B2
0.23-25-1	0.23	25	1504.3	108.7	330	M10	B2
0.23-30-1	0.23	30	1805.2	130.4	230	2*M10	C
0.4-4-1	0.4	4	79.6	10	125	M6	A2
0.4-5-1	0.4	5	99.5	12.5	125	M6	A2
0.4-6-1	0.4	6	119.4	15.0	125	M6	A2
0.4-7.5-1	0.4	7.5	149.2	18.8	125	M6	A2
0.4-8-1	0.4	8	159.2	20.0	125	M6	A2
0.4-10-1	0.4	10	198.9	25	180	M6	A2
0.4-12-1	0.4	12	238.7	30	180	M6	A2
0.4-14-1	0.4	14	278.5	35	210	M6	A2

CJCC SERIES OIL CAPACITORS



0.4-15-1	0.4	15	298.4	37.5	210	M6	A2
0.4-16-1	0.4	16	318.3	40	210	M6	A2
0.4-18-1	0.4	18	358.1	45.0	210	M8	B2
0.4-20-1	0.4	20	397.9	50	210	M8	B2
0.4-22-1	0.4	22	437.7	55	210	M8	B2
0.4-25-1	0.4	24	497.4	62.5	210	M8	B2
0.4-30-1	0.4	30	596.8	75	260	M8	B2
0.4-35-1	0.4	35	696.3	87.5	330	M8	B2
0.4-40-1	0.4	40	796.2	100	330	M8	B2
0.4-45-1	0.4	45	895.2	112.5	230	2*M10	C
0.4-50-1	0.4	50	995.2	125	230	2*M10	C
0.4-60-1	0.4	60	1194.3	150	280	2*M10	C
0.45-4-1	0.45	4	62.9	8.9	125	M6	A2
0.45-5-1	0.45	5	78.6	11.1	125	M6	A2
0.45-6-1	0.45	6	94.3	13.3	125	M6	A2
0.45-7.5-1	0.45	7.5	117.9	16.7	125	M6	A2
0.45-8-1	0.45	8	125.8	17.8	125	M6	A2

CJCC SERIES OIL CAPACITORS



0.45-10-1	0.45	10	157.2	22.2	180	M6	A2
0.45-12-1	0.45	12	188.6	26.7	180	M6	A2
0.45-14-1	0.45	14	220.1	31.1	210	M8	A2
0.45-15-1	0.45	15	235.8	33.3	210	M8	A2
0.45-16-1	0.45	16	251.5	35.6	210	M8	A2
0.45-18-1	0.45	18	282.9	40	210	M8	A2/B2
0.45-20-1	0.45	20	314.4	44.4	210	M8	A2/B2
0.45-22-1	0.45	22	345.8	48.9	210	M8	B2
0.45-25-1	0.45	25	393.2	55.6	210	M8	B2
0.45-30-1	0.45	30	471.8	66.7	210	M8	B2
0.45-35-1	0.45	35	550.2	77.8	260	M8	B2
0.45-40-1	0.45	40	629.1	88.9	260	M8	B2
0.45-45-1	0.45	45	707.4	100	230	M10	C
0.45-50-1	0.45	50	786.3	111.1	230	2* M10	C
0.45-60-1	0.45	60	943.6	133.3	230	2*M10	C