

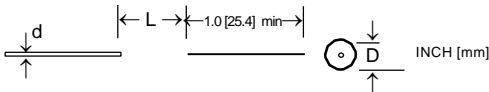


CCCA SERIES



- Conformal coated, miniature sizes, 0.3pF - 2.2uF
- Wide range of capacitance, tolerance, TC, and voltage
- COG (NPO), X7R, Z5U and Y5V temperature coefficients
- Popular values available from stock

High-density multi-layer construction enabling an expanded range of values. Bodies are insulated with a proprietary flame retardant epoxy coating for superior environmental protection and dielectric strength. Non-standard values, increased voltage ratings, custom marking, military screening, cut & formed leads, etc., are available. Matched sets and networks also available.



SPECIFICATIONS

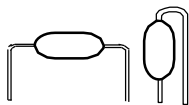
Jinpei Type	WVDC ¹	CAPACITANCE RANGE			L (Body Length, Max)	D (Body Diameter, Max)	d (Lead Dia)
		COG (NPO)	X7R	Z5U/Y5V ²			
CCCA05	25	0.3 - 1000pF	100pF - 0.15uF	1000pF - 1.0uF	0.150 [3.8]	.100 [2.54]	018±.003 [0.45±.08]
	50	0.3 - 1000pF	100pF-0.10uF	1000pF - 0.47uF			
	100	0.5 - 820pF	100pF- 0.01uF	1000pF- 0.068uF			
CCCA10	25	0.5 - 2700pF	100pF - 0.22uF	1000pF - 1.2uF	0.170 [4.32]	.100 [2.54]	.018±.003 [0.45±.08]
	50	0.5 - 2200pF	100pF- 0.10uF	1000pF - 1.0uF			
	100	0.5 - 1000pF	100pF- 0.033uF	1000pF- 0.10uF			
CCCA12	25	0.5 - 5600pF	100pF - 1.0uF	1000pF - 2.2uF	0.200 [5.1]	.118 [3.0]	.018±.003 [0.45±.08]
	50	0.5 - 4700pF	100pF- 0.47uF	1000pF - 1.0uF			
	100	0.5 - 3300pF	100pF- 0.10uF	1000pF- 0.10uF			

DIELECTRIC CHARACTERISTICS (typical)

ITEM	COG (NPO)	X7R	Y5V (Z5U) ²
Cap. Range, E12 values	0.3 pF - 5,600 pF	100 pF - 1uF	1,000 pF - 2.2uF
Capacitance Tolerance	<10pF: ±1pF, .25pF, .5pF (std) 10pF: ±1%, ±2%, ±5%(std), ±10%	±5%, ±10% (std), ±20%	±20% (std), +80/- 20%
Operating Temperature Range	-55°C to +125°C	-55°C to +125°C	-30°C to +85°C
Temperature Characteristics	0 ± 30ppm/°C ³	±15% max over op.temp range	+22%/-82% (+22%/-56%) max over operating temp range
Aging (cap loss/decade hr)	negligible	2%	7%
Voltage Coef (C@ max V)	negligible	-50% to+10% typ	-80% to+20% typ
Dissipation Factor (1KHz)	0.15% (+25°C & +125°C) 1.0VRMS, 1MHz for values<1000pF	2.5% Max., 1VRMS	4.0% Max. 0.5 VRMS
Insulation Resistance 25°C (MIL-STD-202-METHOD-302)	100G or 1000M -uF whichever is less	100G or 1000M -uF whichever is less	10G or 1000M -uF whichever is less
Dielectric Strength	2.5x rated VDC	2.5x rated VDC	2.5x rated VDC
Life Test (1000 hours)	2x rated voltage @+125°C C<3% or 0.25pF wig	2x rated voltage at +125°C C<20%	1.5x rated voltage at +85°C C<30%

Cut & Forming

Wide range of styles and sizes available... horizontal, vertical mount, snap-in kinks, etc. Consult factory.



Footnotes:

- ¹ Expanded range available, consult factory
- ² Y5V is standard, Z5U is avail. (Y5V & Z5U are considered interchangeable)
- ³ ±60ppm <10pF

PART NUMBER EXAMPLE

CCCA10 102 K 1H B B

Series: CCCA10
 Capacitance Code: 102
 Tolerance Code: K
 Voltage: 1H
 Body Diameter: B
 Lead Diameter: B

B=Bulk (poly bag), A=Ammo, T=Tape & Reel box,(SPQ5K)
 N=NPO (COG, B=X7R, F=Y5V (M=Z5U)
 Voltage 25V=1E 50V=1H 100V=2A 200V=2D

Tolerance Code
 F=1%, G=2%, J=5%, K=10%, M=20%, Z=+80%/-20%, B=±0.1pF, C=±0.25pF, D=±0.5pF

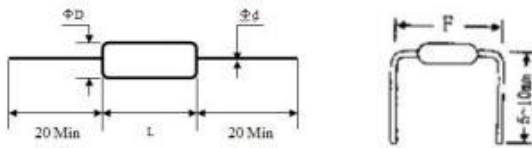
Capacitance Code
 R47=0.47pF, 1R0=1pF, 100=10pF, 101=100pF, 102=1000pF, 103= 01uF(10,000pF), 104= .1uF(100,000pF), 105=1uF, 106=10uF



CCCA SERIES

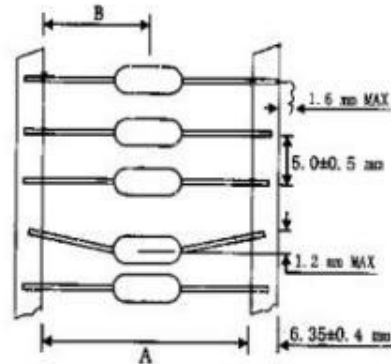
External Dimensions mm

Bulk Products



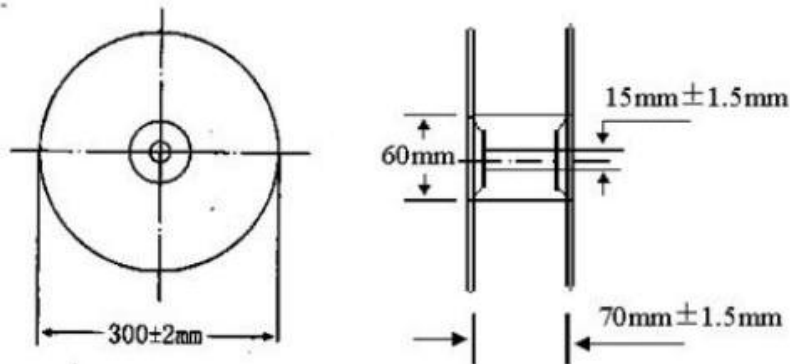
Taping Dimensions

Tape Style	A	B
Tape Width: 26	26 ± 1.5	13 ± 0.76
Tape Width: 52.4	52.4 ± 1.5	26.2 ± 0.76



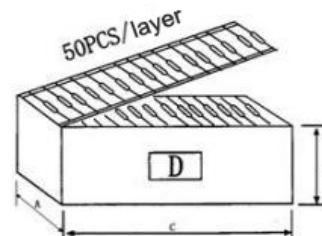
Packaging

Tape and Reel Packaging



Ammo Packaging

Tape Style	A ± 5mm	B ± 5mm	C ± 5mm	D
52.4 mm	81	72	258	Lable
26 mm	50	110	258	



Packaging Quantity

Size Code	Tape and Reel	Ammo	Bulk
CCCA05	5000	5000	1000
CCCA10	5000	5000	1000
CCCA12	5000	5000	1000