

CBEI | HIGH ENERGY HYBRID TANTALUM CAPACITOR



FEATURES:

- This product is a combination of hermetically sealed tantalum capacitors, packaged in a metal case, square, polar capacitor, excellent electrical performance and long life.
- High rated voltage and is suitable for aerospace, aviation, boats and ships, electronics and other fields

SPECIFICATIONS

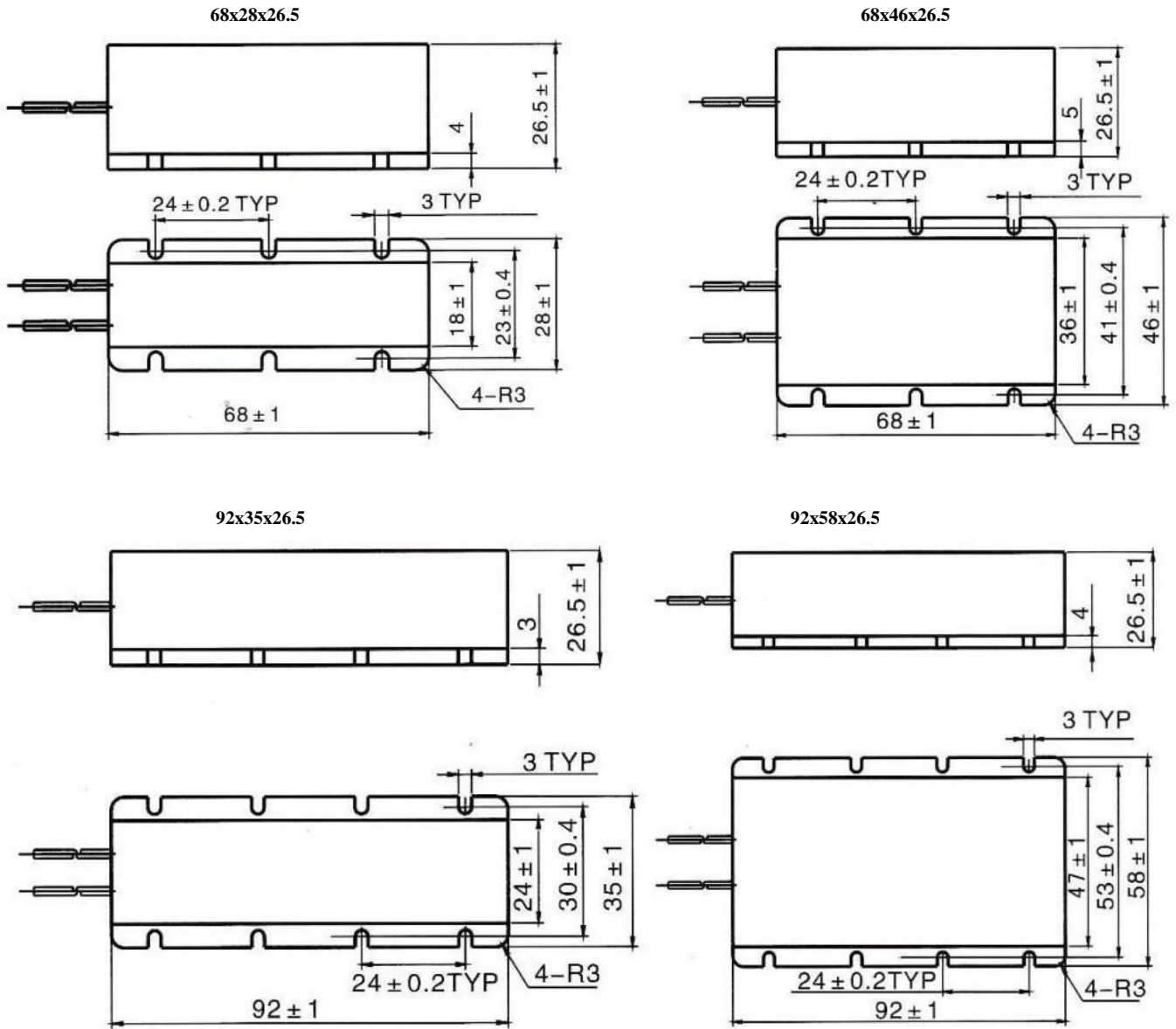
Operating Temperature	-55°C to +125°C (to +125°C, with rated voltage derating)
Storage Temperature	-62°C ~ +130°C
Capacitance Tolerance	Q: (-10%~+30%), K: (±10%), M: (±20%)
Lead Length	(110±20)mm



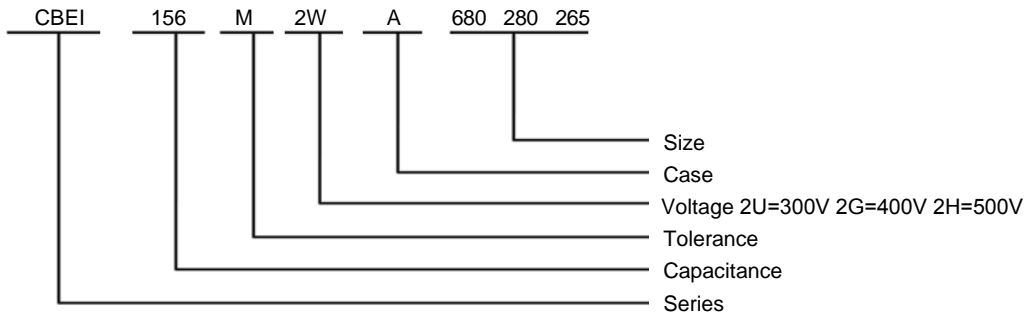
Electrical Characteristics

Rated Voltage (V)	Category Voltage (V)	Cap. (μF)	tgδ (%) 25°C	DCL (μA) 25°C (Max.)	ESR (Ω) 25°C 1kHz	Case Code	Dimensions
							DxH
							(mm)
400	270	150	30	60	0.68	A	68x28x26.5
400	270	330	40	130	0.48	B	68x46x26.5
400	270		40	130	0.48	C	92x35x26.5
400	270	680	45	270	0.36	D	92x58x26.5
400	270	900	50	360	0.34	E	100x39x40
400	270	1100	50	440	0.30	F	160x48x26.5
400	270	1800	55	720	0.20	G	100x78x40
400	270	2250	55	900	0.16	H	160x82x26.5
400	270	90	30	60	0.2	I	61x28x16
300	200	5000	50	1000	0.2	J	112x86x30
400	270	1200	20	400	0.18	K	150x40x28
400	270	1500	55	600	0.2	L	85x75x30
400	270	3300	40	1000	0.1	M	160x124x31
400	270	4700	40	1500	0.1	N	160x160x31
500	320	500	15	200	0.135	O	98x58x26.5
500	320	220	12	88	0.35	P	42x42x25

Dimensions (unit: mm)

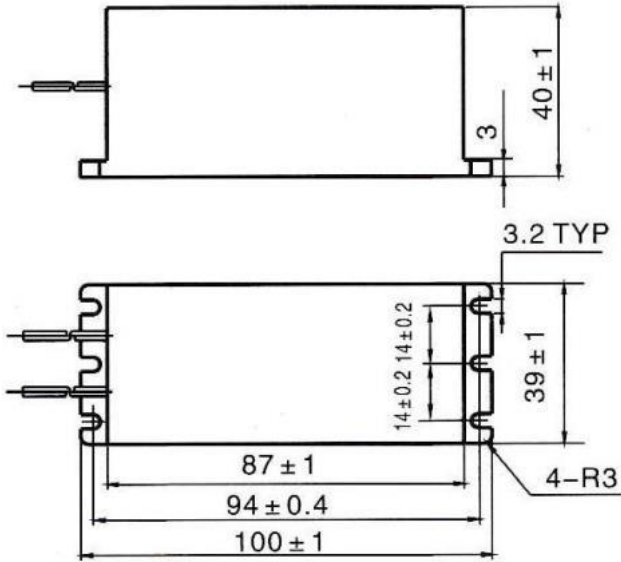


PART NUMBER EXAMPLE

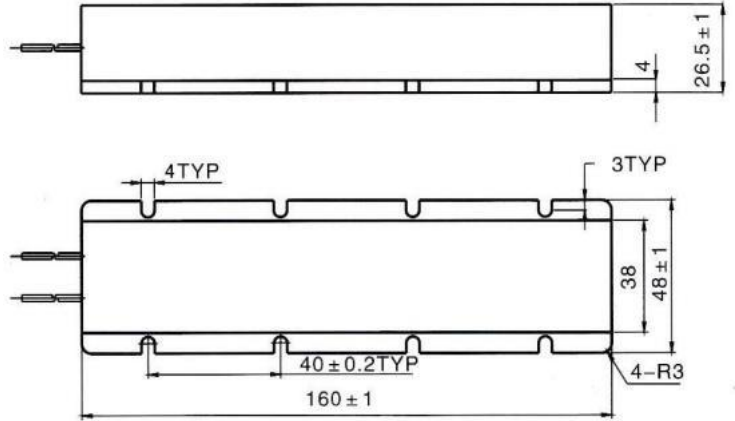


Dimensions (unit: mm)

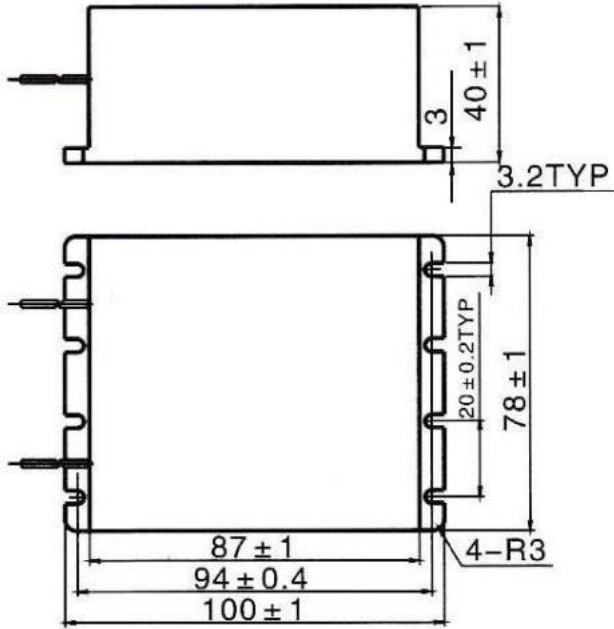
100x39x40



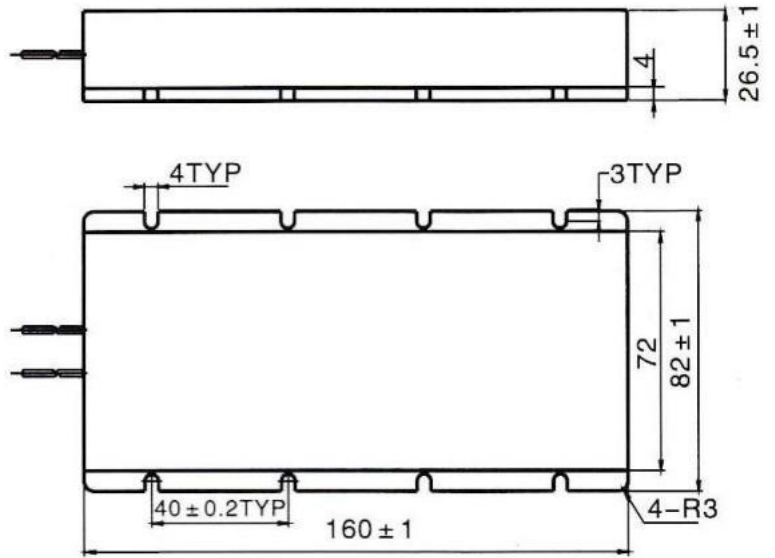
160x48x26.5



100x78x40

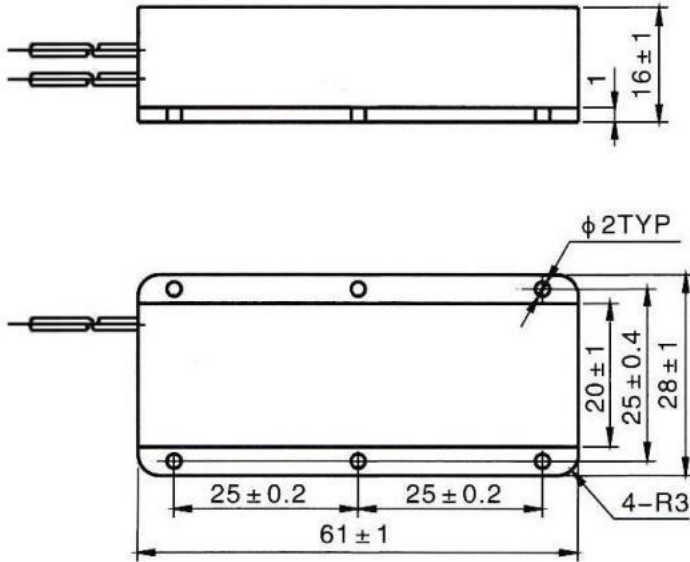


160x82x26.5

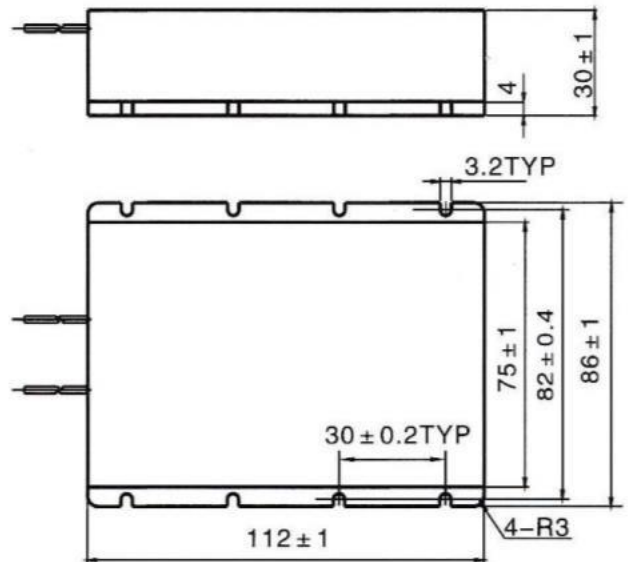


Dimensions (unit: mm)

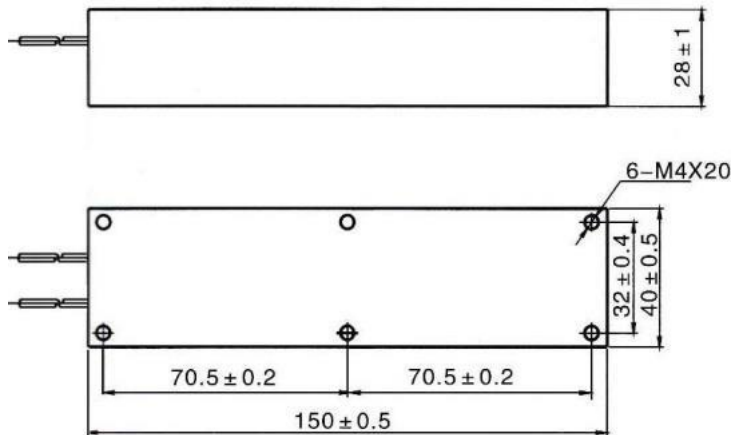
61x28x16



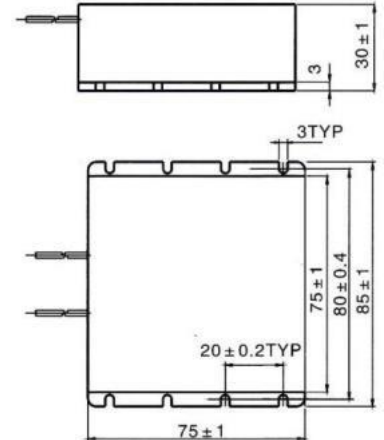
112x86x30



150x40x28

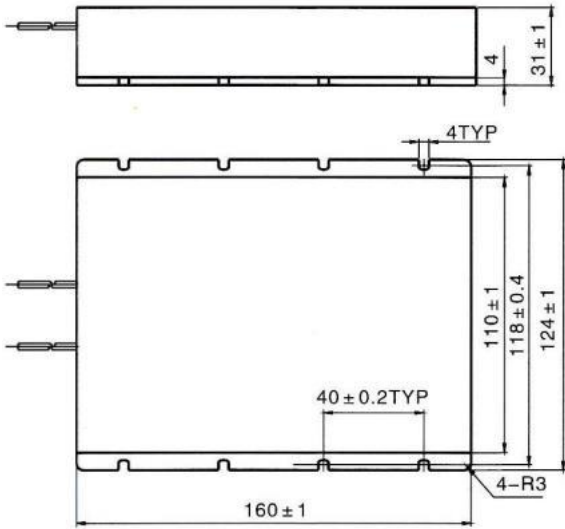


85x75x30

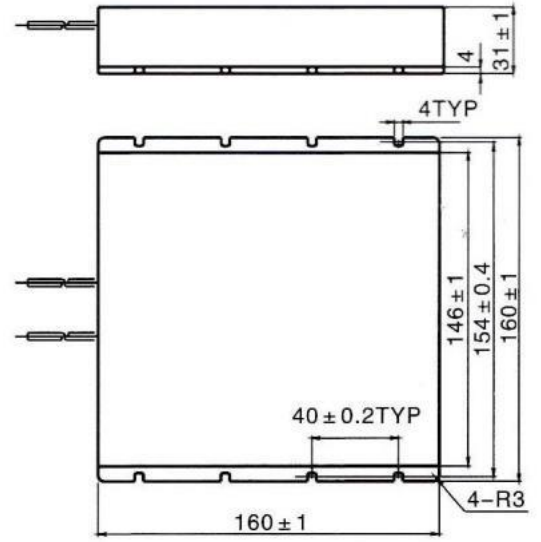


Dimensions (unit: mm)

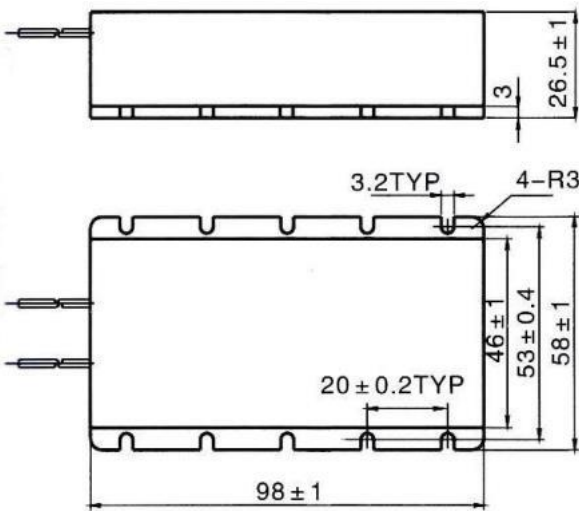
160x124x31



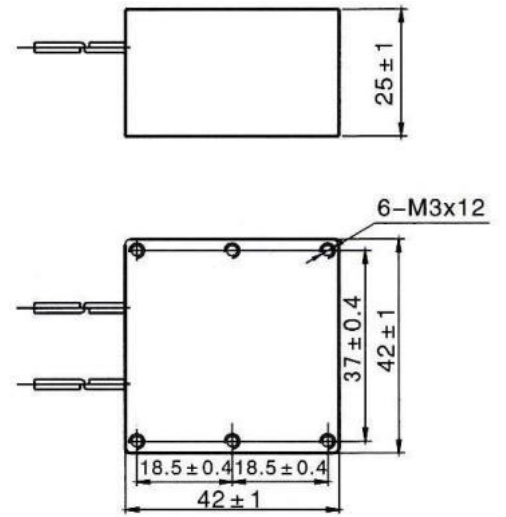
160x160x31



98x58x26.5



42x42x25



Note:

1. Please do not use multimeter through the measuring procedures (may cause irreversible damage and lead to discard).
2. Capacitance and DF measured at 100Hz, $U_+ = 2.200 - 1.0V$, $U_- = 1.00 - 0.5V$ Test only applied in series equivalent circuit.
3. Voltage derating is applied at +125°C. (The DCL parameter should be read after 5 minutes when it connected to the circuit).
4. Special size and demand could consult with us.