

NON POLAR RADIAL TANTALUM CAPACITOR

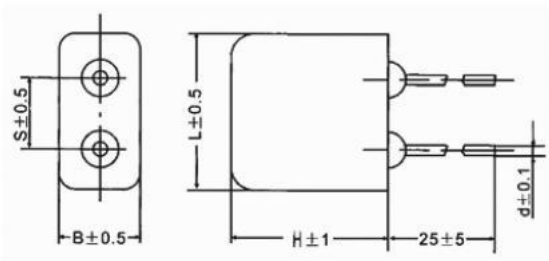
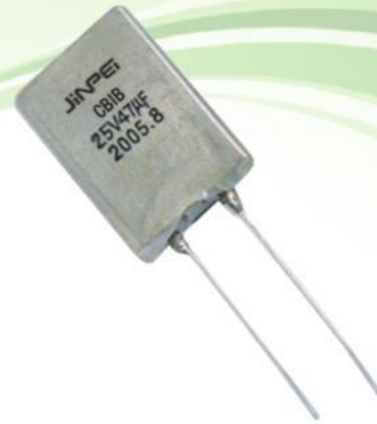
CBIB

Equative CA72 series

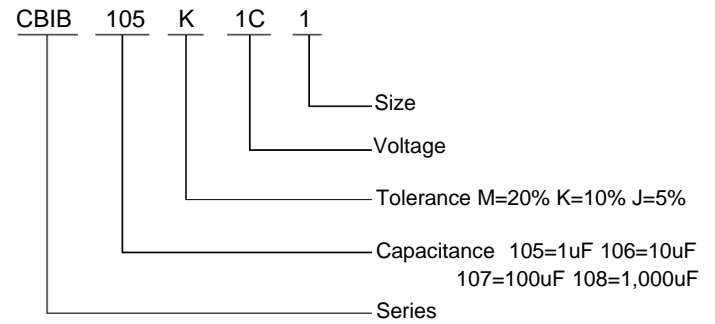
This product is a radial leads non-polar solid tantalum capacitor.
Suit for polar transform
DC and pulse circ uit.
Implementation of standards SJ 1510—79

Technic Performance:

- Operation Temperature: - 55 ~ +85°C
- Operate Voltage Range: 6.3V ~ 63V
- Capacitance Range: 0.22 ~ 150μ F
- Capacitance Tolerance: ± 10%, ± 20%
- Leakage Current (μ A) : +20°C:
 A: $I_0 \leq 0.08 C_R U_R$ (lower 1.5μ A use 1.5 μ A)
 B $I_0 \leq 0.04 C_R U_R$ (Lower 1μ A use 1μ A)
- Dissipation Factor tgδ 0 (%) : at 20°C.100Hz:
 Capacitance $C_R < 47\mu F$: tgδ 0 ≤ 10%
 Capacitance $C_R \geq 47\mu F$: tgδ 0 ≤ 15%



PART NUMBER EXAMPLE:



CASE SIZE, MAX WEIGHT, CAPACITANCE

Table1:

Case code	Case Size B× L× H/mm	Pin Diameter mm	Pin Space mm	Ma x . Weight (g)	Rated Voltage DC						
					6.3 0J	10 1A	16 1C	25 1E	32 1X	40 1G	63 1J
1	3.5×6.5×9.5	0.4	2.5	1.6	3.3	2.2	1.5	1.0	0.68	0.68	0.22
					4.7	3.3	2.2	1.5	1.0	1.0	0.33
2	5.6×11×16	0.6	5.0	6.5	6.8	4.7	3.3	2.2	1.5	1.5	0.47
					10	6.8	4.7	3.3	2.2	2.2	0.68
					15	10	6.8	4.7	3.3	2.2	1.0
					22	15	10	6.8	4.7	3.3	1.5
					33	22	15	10	6.8	4.7	2.2
3	8.2×16×18	0.8	8.0	16	47	33	22	15	10	6.8	3.3
					68	47	33	22	15	10	4.7
4	8.2×16×22	0.8	8.0	25	100	68	47	33	22	15	6.8
					150	100	68	47	33	22	10