

CBFD

(hermetic seal) equative CAK31 series



1, Brief Introduction and Feature

- CBFD, Metal case ,hermetic sealed, with insulation sleeve wet tantalum electrolytic capacitors.
- With polar, axial leads through hole, long life, good performances and stability.
- Cross part 109D, 138D, M39006/09/21/30/31
- Widely used in electronic equipment for communication equipment, aerospace, satellite, guided missile and aviation.



Meet standard: GJB733A-96, ZZR-Q/PWV20011-2009

2, General Characteristics

Operating Temperature Range: -55°C ~ +125°C (>85°C with voltage derating);

Capacitance range: 1.7µF ~ 1200µF

Capacitance Tolerance: J=±5%, K=±10% , M=±20%

Voltage: 6V ~ 125V

DF see Table 2

DCL see table 2

Case sizes, Dimensions and Max. weight: As shown in Table 1 and figure 1.

Nominal Capacitance, Rated voltage, Voltage Derating: See table 2

3, Drawing, Case Dimension and Max. weight

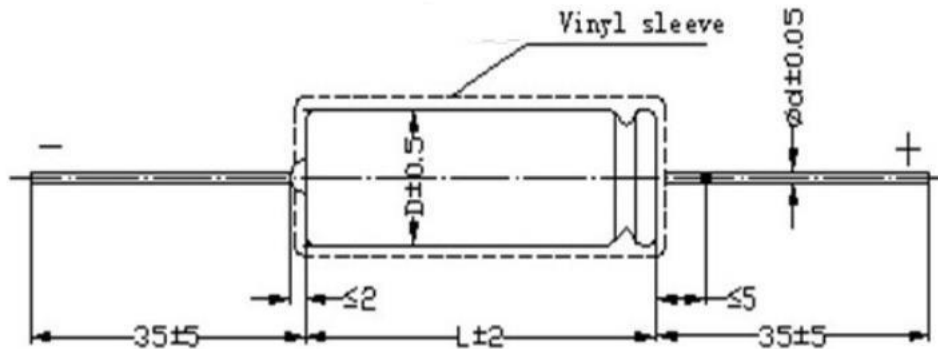


Table 1

Code	Max. weight (g)	Without sleeve		With sleeve	
		D±0.4 (mm)	L±0.8 (mm)	D±0.4 (mm)	L±0.8 (mm)
T1	4	4.8	11.5	5.6	12.8
T2	7	7.2	16.3	7.9	17.1
T3	14	9.5	19.5	10.3	20.3
T4	19	9.5	27	10.3	27.8

CBFD

(hermetic seal)



4,Table 2 General Characteristics

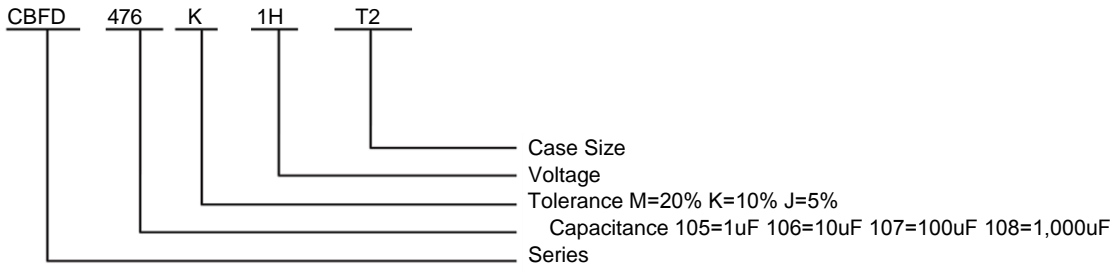
Rated Voltage (V)	Voltage Derating (V)	Case size	Cap. (μF)	DCL (μA)Max				IMP (Ω) 100Hz	Tgδ (%) 25°C 85°C 125°C	Rated Voltage (V)	Voltage Derating (V)	Case size	Cap. (μF)	DCL (μA)Max				IMP (Ω) 100Hz	Tgδ (%) 25°C 85°C 125°C
				25°C		85°C 125°C								25°C		85°C 125°C			
				1	2	1	2							1	2	1	2		
60I	4	T1	30	1	2	100	9.1	50 1H	30	20	T4	300	8	32	25	35			
		T1	68	1	2	60	20.4				T1	5	1	2	400	3.4			
		T2	140	1	3	40	21.3				T1	10	1	2	250	6			
		T2	270	1	6.5	25	81.8				T2	25	1	5	95	11.2			
		T3	330	2	7.9	20	49.6				T2	47	1	9	70	21.4			
		T3	560	2	13	25	128				T3	60	2	12	45	13.6			
		T4	1200	3	14	20	144				T3	82	2	16+	45	24.9			
80K	5	T1	25	1	2	100	7.6	60 1O	40	40	T4	160	8	32	27	25.7			
		T1	56	1	2	59	17				T1	4	1	2	550	3			
		T2	220	1	7	30	66.4				T1	8.2	1	2	275	5			
		T3	430	2	14	25	91.5				T2	20	1	5	105	7.6			
		T4	850	4	16	22	65.8				T2	39	1	9	90	20.7			
10 1A	7	T1	20	1	2	175	6.1	75 1M	50	50	T3	50	2	12	50	15.3			
		T1	47	1	2	100	18.1				T3	68	2	16	50	30.7			
		T2	100	1	4	60	15.2				T4	140	8	32	28	25.7			
		T2	180	1	7	40	54.4				T1	3.5	1	2	650	2.5			
		T3	250	2	10	30	37.8				T1	6.8	1	2	300	4.1			
		T3	390	2	16	25	87.6				T2	15	1	5	150	7.5			
		T4	750	4	16	23	56.5				T2	33	1	10	90	17.5			
15 1R	10	T1	15	1	2	155	5.7	100 2A	65	65	T3	40	2	12	60	15.2			
		T1	33	1	2	90	12.5				T3	56	2	17	60	25.6			
		T2	70	1	4	75	13.1				T4	110	9	36	29	25.7			
		T2	120	1	7	50	36.8				T1	2.5	1	2	950	5			
		T3	170	2	10	35	25.4				T1	4.7	1	2	500	3.6			
		T3	270	2	16	30	60.9				T2	11	1	4	200	5			
		T4	540	6	24	23	49				T2	22	1	9	100	11.8			
25 1E	15	T1	10	1	2	220	4.6	125 2Q	85	85	T3	30	2	12	80	9.1			
		T1	22	1	2	140	8.3				T3	43	2	17	70	19.7			
		T2	100	1	10	50	31.4				T4	86	9	36	30	20.7			
		T3	180	2	18	32	54.3				T1	1.7	1	2	1250	7			
		T4	350	7	28	24	35				T1	3.6	1	2	600	4.1			
30 1U	20	T1	8	1	2	275	4.5	125 2Q	85	85	T2	9	1	5	240	10.2			
		T1	15	1	2	175	9.1				T2	14	1	7	167	12.7			
		T2	40	1	5	65	12.2				T3	18	2	9	129	15			
		T2	68	1	8	60	31				T3	25	2	13	93	19			
		T3	100	2	12	40	19				T4	56	10	40	32	17.5			
		T3	150	2	18	35	46												

CBFD

(hermetic seal)



PART NUMBER EXAMPLE



Notes:

- 1、Tantalum capacitors can't been measured by multimeter (Easily cause irreversible damage and lead to reject)
- 2、Capacitance, DF measure frequency: 100Hz, U=2.20 -1.0V, U =1.00 -0.5V(effective value), measure method is by series equivalent circuit.
- 3、Measure leakage current above 125°C, please use derated voltage. DLC read within 5 minute.
- 4、Special size and big capacitance products, please negotiate with us